



Christ Episcopal Church

P.O. Box 657 (428 Pee Dee Avenue)
Albemarle, NC 28002
Website: <http://www.christalb.org/>

Phone: 704 / 982-1428 Fax: 704 / 982-1001
Rector's Email: clergy@christalb.org
Parish/Financial Secretary's Email: info@christalb.org
Youth Director's Email: ce@christalb.org

Mission Statement:

*This mission of Christ Episcopal Church is to...Love the unlovable; Help the helpless; Inspire the discouraged;
Be a family to those who have none; Be the right hand of God in the world.*

Contents: (on page #)

Fr. Jim's Journal.....	1
Fr. Jim's Journal-continued.....	2
SCCM Outreach Update.....	2
Saturday Soup Kitchen.....	2
Congratulations to Andrew Allen...	2
Prayer List.....	3
Congratulations to Graduates.....	3
From God's Word.....	3
A Special Thank You.....	3
Altar Flowers.....	3
On The Funny Side.....	3
More Thank You's.....	4
Ladies Noon Out.....	4
May Calendar Listed.....	4
From God's Word.....	4
Humorous Cartoon.....	4
Financial Report.....	5
Congrats to Lashonda Aycock.....	5
Men's Group News.....	5
Mother's Day Brkfst /Offering.....	5
UTO Spring Ingathering.....	5
Children's Camp Needs Funds.....	5
Thank You to Christ Church.....	5
Choir Rehearsal.....	5
Free Kittens!.....	5
ECW News.....	6
Thanks to Beth Chivington.....	6
Liturgical Planning Workshop.....	6
Yard Sale Update.....	6
Hands (Inspirational).....	6
Youth News.....	7
Our Deepest Sympathy.....	7
A Letter From Poss Wilhelm.....	7
Underground Tunnel at Church.....	7
Birthdays & Mailing Address.....	8
Kid's Page for May.....	9



Fr. Jim's Journal:

Dear sisters and brothers in Christ,

This is a letter I've written to my daughter Rachele and her husband Denny. I hope that it's helpful to you as well. Peace and blessings in our Risen Savior, Jesus Christ!

Faithfully, in Him, Fr. Jim Bernacki

Dear Shell and Denny,

I've been meaning to write you for quite some time, especially after Matt's death, but I haven't had a chance to do this until now. ***I wanted to tell you why it's so important for Mom and me to be in church and to go to church.*** Here are my reasons:

1) The Fourth Commandment (which is a Commandment, not a suggestion!) from God says **"Keep holy the Sabbath."** The Ten Commandments are found in the Old Testament Books of Exodus and Deuteronomy. When Jesus came into this world in the flesh, he did not abolish the Ten Commandments, but rather, he came to fulfill them. So when we come to church on Sunday, we come because it's God's law. Also, Jesus, when he instituted the Sacrament of Holy Eucharist on that first Maundy Thursday, commanded us to **"Do this in memory of me."** So, when Mom and I go to church to celebrate Holy Eucharist on Sunday, we obey God (and His Son's) command to do this. Why Sunday?—because it's the day of our Lord's resurrection; when early Christians gathered to "break the bread" of the Eucharist. Sunday thus became the "Christian Sabbath."

2) We go to church to worship God because **we have a need to worship Him.** That need is built into our systems, and we can't "shake it off"! We can substitute that need by trying to put other things in its place (e.g., "sleeping in," watching TV, doing sporting events), but those other things never really fulfill that need. We sometimes convince ourselves that "doing our own thing" on a Sunday is fine, but that attitude just covers up our real need to worship the God who loves us so much that, in His Son Jesus Christ, He died for us sinners.

3) **The Church is God's way of getting us into a living "support group."** We are, after all, Christ's Body on earth; every member of the body has God-given gifts that help support the entire Body of Christ. If Mom and I were to "sit out" on Sunday worship, we would be really incomplete people, since our refusal to act as part of the Body of Christ would be a denial of who we were and are.

(continued on the next page)

*(Fr. Jim's Journal -- continued
from previous page)*

After your brother Matt died, many people came up to us in the days after, asking us how we were able to cope with Matt's death. I still don't know how we're able to do this, but I do know that God's grace and our membership in the church were two great factors involved in our doing as well as we are. As you know, the people of Christ Church are a very loving and supportive group, and we're very proud to be part of this church family! Are there some members who are "off the wall"?—Of course there are! There are all kinds of people in Christ Church, and for that matter, practically every church. But we know that despite our oddities—Mom's and mine included!—there is an undercurrent of love that surrounds us. I honestly can tell you that Mom and I couldn't have done as well as we did without that spiritual support!

I am very aware that "we're not over Matt's death," and it will take much more time to help us as we recover from this tragedy. But I honestly don't know how some people without faith or a church family can deal with the loss of a loved one.

4) **Jesus feeds us weekly with Himself in Holy Communion.** In this world of financial and other uncertainties, we need the assurance of Jesus' presence to get us through the week. When Jesus feeds Mom and me with His Body and Blood in Holy Communion at the Sunday service, we're assured that we can get through another week knowing that he is always with us. Jesus doesn't take away the problems we have, but rather, He helps us with our problems by feeding us with Himself—his very life and presence. Communion, for us, is not simply a memorial of what Jesus did over 2,000 years ago, it's a **renewal** of Jesus' loving

sacrifice on the cross and his resurrection from the dead. What better way to be fed by God than through the Eucharist?

5) **The church helps us in our role as Christian parents and role models.** I know that both of you are doing a fine job bringing up Riley and Jacob! But as parents in this multicultural world, you don't have very much backing for what you teach your children. Church school lessons and the Eucharist both help us in our role as parents (and grandparents!). The Sunday School lessons that our teachers offer, give our children and young people some moral teachings that can help support you in your role as parents and religious educators for your children. Isn't that a good reason to find a church and have Riley go to Sunday School?

I've spent a while talking to you about why we go to church, but the most important reason is **to return the great love that God has for us!** There is actually no way that we can fully return God's love, but the Sunday Eucharist is the best way we can do this, since it's united with the sacrifice of Jesus Christ, His only Son, our Lord. On those rare occasions when Mom or I miss the Sunday service, we feel that there's something lacking. I know that you're still very upset about Matt's death, but I also know that God didn't cause Matthew to die. The God who allowed Jesus to die on the cross—in order that he would rise again three days later, is the same God who allowed Matt to die, so that at the last day he, too, will rise from death. The God who loves Matt infinitely and perfectly—even though he "messed up" with prescription meds—is the same God who loves us the same way. God loves us in and through our grief, and that love is still a mystery. Why should God love me even when I mess up

repeatedly? That, too, is a mystery!

Well, I've about "talked your ears off," but I wanted to share this note with you, so that it might help you to see why church is so important for Mom and me. Riley needs to be part of a church family, and so do you. I hope that, in God's time, you will find a church home and family to call your own and will feel the loving support of God and a Christian community of love. Remember: Christians aren't perfect, but they're forgiven. Love to both of you and Riley and Jacob, from Mom and me, Dad

OUTREACH:

Thank you for all your donations to the SCCM! We have had very generous donations from everyone. Recently, we have taken the following amounts of food to the SCCM:

We took 26 lbs. on Feb. 17, 74 lbs. on Feb. 26, 42 lbs. on March 17, 20 lbs. on Apr. 16, and 21 lbs. on May 7. (Remember, when you deliver the food, the SCCM will weigh it and tell you how much you gave. Please be sure to call the church office to report how much we gave.)



SCCM HELPER

May: Sandy Bernacki

COMMUNITY TABLE I & II SOUP KITCHEN SCHEDULE:

Albemarle: May 16

CONGRATULATIONS!

Andrew Allen's art work was selected for display at an art show held at Stanly Regional Medical Center this past fall. Andrew is also a member of the Albemarle High School Tennis Team. Andrew is also a high honor roll student.

PRAYER CONCERNS

Parish Intercessions

Praying for the presence and action of God's holy and healing spirit is a vital part of the Christian community's work. We are praying for:

Those with pressing needs:

Lisa Brandyberry; Sally Aycock; Frank Mullen (per Chip & Betty Manuel); Brenda Mabry (sister of Jane Almond); Curtis Smith (father of Jera Norwood—per Fr. Jim); Doris Stickney; Thelma Gardner; Eugene Holland (father of Gene Hinson); Debbie Sweda (per Josie Pulvino—Josie is Sandy Bernacki's mother); Chris Burris (son of Bo & Linda Burris); Marty (Lori Kirkingburg's daughter); Hannah (Fr. Abuid Sam's wife); Archie Chase; Phil Huneycutt; Steve Reynolds (per Marianne Bumgarner-Davis); Anna McKeon; Dillon Harris; Billie Estey (sister of Lori Kirkingburg); Cleo Arrington; Lori Kirkingburg; and Karen Davis (sister-in-law of Wayne and Maureen Davis).

Those with ongoing needs:

(Unless requested, these names are removed monthly.) Richard Lowe (brother of Tom Lowe); Consuelo Cavasos (mother of Abel Cavasos); Phyllis Deese (mother of Terry Deese); Marianne Bumgarner-Davis; Dick & Sally Colwell; Roy Dominick; Bob & Lillian Layton; Rose Harris; Shelby Harwood (mother of Dawn Allen); David Aycock; Jim Irvin; Coy Ritchie; Maggie Snuggs; Betty Mabry (Clegg Mabry's mother); Jimmy Crider (cousin of Katrenia Davis & nephew of Kate Mabry); and Evelyn "Jan" Jaquinta.

Those who have departed:

Mildred Morton (per Kay Throneburg); Lucy McBride (friend of Hal & Terri Dunlap). May Mildred, Lucy, and all the departed rest in Christ's peace.

In the military service: Pray for all engaged in battle in world conflicts and for world peace.



CONGRATULATIONS...

We are very proud of the members of our church who are graduating this spring! On Sun., May 17, at the 11:00 a.m. worship service at Parish Day at Chuck Morehead Park, we will have a special time of recognition of our graduates. May God bless you, graduates, in all that you do, and may God continue to guide you and help you to be a witness for Christ everywhere you go.

HIGH SCHOOL

Brent Allen--Albemarle H.S.

& will be attending NC State University to study Computer Engineering -- Brent has been recognized by the North Carolina Department of Instruction as an Academic Scholar. To qualify for this award, students must maintain an unweighted GPA of at least 3.5 through their high school years while participating in a challenging course curriculum. Brent is also a member of the National Honor Society and served as Co-Captain of the Percussion Section for the Albemarle High School Marching Band. Brent is also a member of the Beta Club and was inducted into the Tri-M Music Society. He is a high honor roll student.

Blaine Covington—North Stanly H.S.—played on N.S. football team

Colson Dunlap—South Stanly H.S. He will be attending the University of North Carolina at Charlotte, majoring in Computer Science -- Colson was in the National Honor Society and is a very talented musician.

Isaac Irvin—South Stanly H.S. He will be attending the University of North Carolina at Charlotte, majoring in Engineering -- Isaac was in the National Honor Society and is a very talented musician.

From God's Word...

Surely God is my salvation; I will trust, and will not be afraid, for the LORD GOD is my strength and my might; he has become my salvation. --Isaiah 12:2 (NRSV)

A SPECIAL THANK YOU...

Thank you! There are no words to tell you how much my church family means to me. Your cards, love, and prayers have played a big part in my recovery. God bless each and every one of you. From the bottom of my heart, thank you.

--Lori Kirkingburg

ALTAR FLOWERS

We have plenty of Sundays open for you to sign up to provide flowers for the church altar. Joe Burris can provide the flowers for you for a total of \$35—that's for both flower vases! WOW! What a deal! (When we order from Harwood's, it costs \$80-90 plus tax.)

Other than special days throughout the year such as Pentecost (May 31)—red, All Saints' (Nov. 1)—white, Christ the King (Nov. 22)—white, when special colors are needed, you may place flowers on the altar of any color from your garden, store, or florist of your own choice. Call the church office or come by the office to sign up for altar flowers for a Sunday (or several Sundays!). Be sure to let Carol Bowman know how you want the dedication listed in the bulletin for your particular Sunday. Donations are accepted to pay towards altar flowers for those Sundays for which no one has signed up.

♥ ON THE FUNNY SIDE ♥

An angry mother spouting off to her son: "Did I just hear you say, 'With the way you cook, I wish this was my last supper!'"

More From the Mail Bag...

Dear Pastor & Congregation,

The Stanly Community Christian Ministry gratefully acknowledges your donation of \$259 given in February and \$213.66 given in March that included \$157 for the Souper Bowl. We really appreciate your donations, as they will carry on the charitable work of this Ministry. Sincerely,

Barry Whitley, Exec. Dir., SCCM

A Card of Thanks...

Dear Christ Church

Congregation:

Thank you so much for the beautiful [flower] arrangement! It really lifted Chuck's spirits! We appreciate your prayers & good wishes as he continues to heal. God bless!

Sincerely,

Chuck, Karyn & Tess Whitley

A Note of Thanks...

To The Wonderful People at Christ Episcopal:

Thank you so much for the gift bag you brought to my mother at Britthaven. The stuffed bear is a cute addition to her room & the lotion is always needed. You helped make her birthday extra special. We really appreciate your fine ministry.

Sincerely,

The Family of Virginia Pegram

[They are referring to the nursing home birthday party we hosted in Sept. 2008]



LADIES' NOON OUT

The Ladies' Noon Out will meet Thurs., May 28, at 11:30 a.m. at Gold Miner's Daughter Café in Gold Hill. All ladies should meet at the church for carpooling at 11:00. See Jane Scheer to attend (704) 463-5129.

MAY

Mon. & Thur., May 11, 14, 18, 21, & 28 ESL Program 5:30pm (not 25th) (May 11 Fiesta Covered Dish Meal)

Tuesdays, May 5, 12, 19, & 26 5:30 pm Evening Prayer-Parlor

Wed., May 6, 13, 20, & 27 6:30 p.m. Holy Eucharist in church (No Choir Rehearsal after May 6th)

Thur., May 7, 14, 21, & 28 6:30 am HE, Brkfst, & Bible Study in the parlor

Fridays, May 1, 8, 14, 22, & 29 Fr. Jim's day off

Sun., May 3, Loose Plate Offering & non-perishables go to SCCM

Mon. & Tue., May 4 & 5 9am-3pm Parish Hall Reserved for GHA

Thur., May 7 7:00 pm Church & Parish Hall Reserved for National Honor Society

Fri., May 8, Relay for Life

Sun., May 10, Mother's Day

Sat., May 16, 8:30 a.m. Men's Group Breakfast in Parish Hall, 10:30 am We serve at Saturday Soup Kitchen-Albemarle

Sun., May 17 Parish Day Picnic 8:30 a.m. Holy Eucharist in church, (No Christian Ed/Adult Ed/Nursery), 11:00 a.m. Worship Svc. at Chuck Morehead Park Picnic Shelter with graduates recognition & cook out to follow, Loose Plate Offering to Rector's Discretionary Fund

Tue., May 19, 5 pm Adult Day Care mtg, 7 pm Vestry Mtg.

Tue. & Wed., May 19-20 9am-3pm Parish Hall Reserved for GHA

Sun., May 24 & 31 UTO

Mon., May 25 Memorial Day Church Office Closed

Tue., May 26 12 Noon Emergency Shelter Task Force Mtg at the shelter--beside SCCM Assist. Ctr, 7 pm Quilter's Guild in Choir Room 7 pm Swine Flu Update--Parish Hall

Thur., May 28 11 am Fr. Jim at mtg in Concord-Canterbury Way, 11:30 am Ladies' Noon Out at Gold Miner's Daughter Café in Gold Hill--carpool from church parking lot 11am

PLEASE LET US KNOW...

If you know ahead of time, please be sure to contact the church office if you plan to switch or fill in for someone in the service so that we may put the correct name in the bulletin. We need to know on or before Friday mornings by 9:30, as the bulletins are usually printed on Friday mornings early.

From God's Word...

"The Lord called me before I was born, while I was in my mother's womb he named me." -Isaiah 49:1b (NRSV)

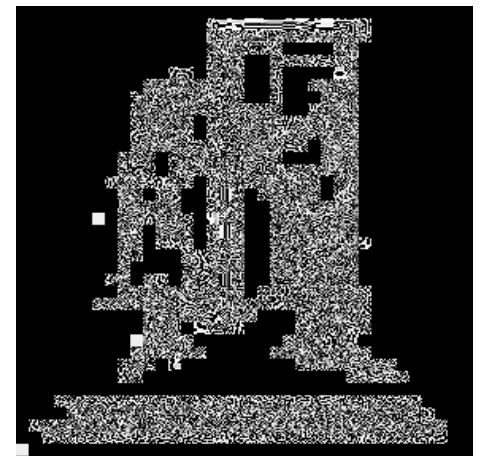
Thank You,

Christ Church Family

The Family of James C. "Poss" Wilhelm acknowledges with deep appreciation your kind expression of sympathy. Christ Church has been a true blessing to our family over the past few weeks, as we were faced with the illness and passing of our beloved "Daddy", Poss Wilhelm. We have been surrounded by prayers, visits from church family, wonderful meals, and a beautiful funeral service. Thank you so very much for the many kindnesses and support you provided to Daddy and our family during this difficult time, making this chapter in our lives a little easier to bear.

In Deep Appreciation,

James C. "Poss" Wilhelm Family



FINANCIAL REPORT

2009 Budget: \$171,014

2009 Pledges: \$128,480

(52 pledges; 5 “zero” pledges)

By March 31, the end of the 1st quarter of 2009, we should have collected ¼ of \$128,480, which is \$32,120 in pledges.

Received as of 3/31/09:

\$ 27,402.91 (pledges)

249.00 (loose plate)

4,061.00 (prior yr pledges)

9.18 (checking interest)

1,873.00 (Local Programs)

+ 13,885.14 (non-pledges)

\$ 47,480.23 Total **

(This total does not include designated gifts to special funds)**

Year-to-date Expenses

(as of March 31): \$44,785.94

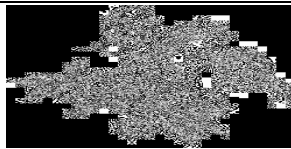
If you have any questions or concerns, please call Carol Bowman at the church office 704-982-1428 or Archie Chase, Treasurer, at 704-982-2801.

CONGRATULATIONS!

Congratulations to Lashonda Aycock, granddaughter of Fr. Marvin & Sally Aycock! Lashonda was recently listed in The Stanly News and Press as being on the Dean's List at Winston-Salem State University for the fall semester 2008. Congratulations, Lashonda! We are very proud of you!

Men's Group Update

We had some more donations and two more expenses come in after the last update of the Oyster Roast Report from the Men's Oyster Roast, which was held in February. The final amount of profit for the Oyster Roast is \$679.26, of which, \$136 (a double tithe) will go to The Community Care Clinic. The Men's Shrove Tuesday Pancake Supper in February now has a profit of \$148.66, after we received another bill in.



Mother's Day

Sun., May 10

Happy Mother's Day to all the women at Christ Episcopal Church! We love you!

BREAKFAST TO HONOR THE WOMEN OF THE CHURCH

ON

SUN., MAY 10

9:30 A.M.

IN THE PARISH HALL

(The Men's Group will cook.)

EVERYONE IS WELCOME TO COME HAVE BREAKFAST TO HONOR THE WOMEN OF THE CHURCH—all men, women, youth, and children are welcome!

Mother's Day Offering

We will collect a special Mother's Day Offering for Penick Village. This is an Episcopalian Retirement & Nursing Home, and our offering will go to help those who have “out-lived” their financial funds and are in need. Penick Village does not turn away anyone who cannot afford to stay and has “out-lived” their means of survival. Special envelopes will be in the bulletins that Sunday.



Sun., May 24 & 31

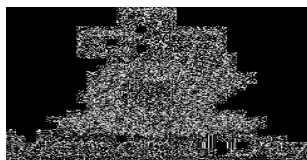
UTO Spring Ingathering

(United Thank Offering)

Gifts will benefit mission

projects in the US

and around the world



Monday, May 25

Remember those who gave their lives for our freedom



The Chapel of Christ the King Episcopal Church in Charlotte needs help with their summer day camp program. For six weeks, they provide a place for children ages 3 to 13 to have nourishment, safety, and fun. The cost is \$525 for six weeks, 5 days per week. If you can help, please write your check to “Christ Episcopal Church” and mark the memo line “for day camp”. We will send in one check for the total.

Thank you, Christ Church:

Dear Members of Christ Episcopal Church,

Thank you so much for your recent gift of \$35. As our economy woes continue, we are seeing more and more families becoming homeless and in need of our assistance. Your partnership in this ministry has been vital and your contributions have benefitted over 70 homeless folks in the past three years. We hope to have the Emergency Housing Program open soon. God bless you!

Skeet Ayscue

Exec. Director

Homes of Hope, Inc.

[He is referring to our gift from the Men's Group of Christ Church, who gave 20% of their profit from the Shrove Tuesday Pancake Supper to Homes of Hope, Inc.]

A Note to The Choir...

We will have no more Choir Rehearsals after May 6 until September. However, we will be singing each Sunday through June 7 and need to meet about 15 minutes before the Sunday morning service begins for a brief practice.



FREE KITTENS!

On April 16, 4 kittens were born. Around the end of May or after, they will be ready for a home. One is all black, the other 3 are black & white “tuxedo”. Call Carol Bowman, at the church office 704-982-1428 or at her home 704-463-1353. Free delivery!

ECW NEWS...

Dear Women of Christ Church,

For several years now, our Episcopal Church Women's organization (ECW) has not operated as a properly organized group (i.e.: Pres. V-P, etc.). A few of us have acted as liaisons, as we have tried to remain connected, in some small way, to the diocesan ECW.

We have been fortunate to have some operating funds which we raised from a large yard sale several years ago and through personal gifts to the ECW. Over these years, I, as Treasurer liaison, have approved the use of our funds for the purchase of blinds for the Parish House and for the sending of an annual pledge of \$300 to the Diocesan ECW in order to remain connected. We recently purchased more blinds to be used in part of the refurbishing project upstairs. Our present balance of funds is \$382.99.

Several months ago, Thompson Child and Family Focus in Matthews sent a letter signed by Bob Glusenkamp, Chair, Board of Trustees and Rt. Rev. Gary Gloster, Member, Board of Trustees, requesting that our ECW "partner with Thompson Child and Family Focus" in its \$10 million *Heroic Measures Capital Campaign* with a \$200 commitment, payable over 5 years. My thinking is that, surely, we can send \$40 a year for 5 years (= \$200). I'd prefer to pay it all at once!

In that I have not yet sent our \$300 pledge for this year to the diocesan ECW (but should, soon), to pay that and even \$40 to the Thompson Campaign would pretty much deplete our funds. I'm writing to you, as the women of Christ Church, to consider giving even a nominal gift (\$5-25) to the ECW to allow us to support Thompson, as they continue to grow and provide child development programs for young children in depressed areas of Charlotte. We're all being bombarded from all directions to give to this and that. This is a worthy request and certainly

do-able. If 40 women gave just \$5 each, we'd have the requested \$200 in one fell swoop; or 20 women giving \$10, etc. Please consider a nominal gift for your ECW to support a very vital outreach program.

Make checks payable to Christ Church with a memo "ECW". Gifts would be appreciated as soon as possible. Thank you in advance for your gifts.

In Christ,
Jane Scheer, Treasurer Liaison



**SPECIAL THANKS
TO BETH CHIVINGTON
FOR 14 YEARS OF
PROVIDING & CARING FOR
THE FLOWERS ON OUR
ALTAR & HAS DECIDED TO
STEP DOWN AFTER ALL
THESE YEARS. THANKS
FOR YOUR FAITHFULNESS
IN SEEING THAT THE
ALTAR WAS ADORNED
FOR OUR LORD'S HOUSE.
THANK YOU, BETH, FOR A
JOB WELL DONE!**

LITURGICAL PLANNING WORKSHOP

All musicians and those interested in the liturgy of the church are invited to a Liturgical Planning Workshop on June 6 at Christ Episcopal Church in Charlotte. More information to come in the June/July newsletter.

YARD SALE UPDATE

Thank you to all who supported the church yard sale on Sat., May 3! We made a profit of \$549.80 for our Parish Building Renovations Fund.

Special thanks to:

Shelia Chase and Sandy Bernacki for pricing the items, and Stan Scheer, Fr. Jim & Sandy Bernacki, Michael Lowder David Wilhelm, Cindy Moore, and Julia Moore, who helped set up and work at the yard sale, and Tom Lowe who coordinated and worked at the sale.



HANDS

A basketball in my hands is worth about \$19. A basketball in Michael Jordan's hands is worth about \$33 million.

It depends on whose hands it's in.

A baseball in my hands is worth about \$6. A baseball in Roger Clemens' hands is worth \$475 million.

It depends on whose hands it's in.

A tennis racket is useless in my hands. A tennis racket in Andre Agassi's hands is worth millions. It depends on whose hands it's in. A rod in my hands will keep away an angry dog. A rod in Moses' hands will part the mighty sea.

It depends on whose hands it's in. A slingshot in my hands is a kid's toy. A slingshot in David's hand is a mighty weapon. It depends on whose hands it's in.

Two fish and 5 loaves of bread in my hands is a couple of fish sandwiches. Two fish and 5 loaves of bread in Jesus' hands will feed thousands.

It depends on whose hands it's in. Nails in my hands might produce a birdhouse. Nails in Jesus Christ's hands will produce salvation for the entire world. It depends on whose hands it's in.

As you see now, it depends on whose hands it's in. So, put your concerns, your worries, your fears, your hopes, your dreams, your families, and your relationships in God's hands, because...

It depends on whose hands it's in.

This message is now in YOUR hands. What will YOU do with it? It depends on WHOSE Hands it's in!

--Submitted by Fr. Jim Bernacki





YOUTH NEWS

The Youth were very pleased with their Krispy Kreme doughnut sales! They made \$125.90 in profit for our youth fund! Thank you to all who supported the youth's doughnut fund raiser!

There is no Christian Education at 9:30 on May 10 so that everyone can enjoy the Men's Group Breakfast to honor the women of the church. However, Amber would like to meet with the teens for about 15 minutes, so please make sure your teen is there by 9:45 am.

All youth (all ages) will be recognized at Parish Day so if you have any academic, athletic or civic honors or anything else you want recognized, please let Amber know, and also notify Carol in the church office.

Here is the proposed youth summer field trip schedule:

- June- Rock Climbing
- July- Water Park
- August- Carowinds

Amber would like for the youth to take a trip to Myrtle Beach and do some outreach this summer as well. Please look at your calendars and come prepared to discuss these field trips.



Our Deepest Sympathy

We extend our deepest sympathy to the family of James C. "Poss" Wilhelm. Poss passed away on Fri., Apr. 3. His funeral was held at the church on Mon., Apr. 6, at 11 am.

Poss served as a Vestry member, Senior Warden, Lay Reader, choir member, and also as an advisor and "comedian". In 1991 when Poss "retired" from the choir, Jane Scheer, choir director, inscribed Poss' name & the number 44 on Poss' choir cotta, as this commemorated Poss' 44 yrs. of faithful service in the choir. His beloved wife Hazel preceded him in

death in 2000. Poss was a very sincere & dedicated member of Christ Church.

Here is a letter that Poss wrote to the parish on stewardship:

Dear Christ Church Friends,

I have worshipped at Christ Episcopal Church for over 57 years. The Church is like a second home to me and I love it dearly. I was born and raised in Rowan County. My father was a Presbyterian, my mother an Episcopalian. Dad's job required long, hard hours, so my mother shouldered the responsibility of our religious upbringing—in her Episcopalian Church. I'm glad I got an early start with religion—it has been my pillar of strength my whole life.

After high school, I moved to Albemarle to help work at my brother Bill's service station on Second Street and began attending Christ Church at that time. I went into the service during WWII, in 1942, and got married after the war in February of 1946. Throughout my younger years I attended church, but it wasn't until the birth of our first of three children, in 1947, that my wife and I started seriously looking for a church home. Home was Christ Episcopal Church in Albemarle and my wife, a Baptist, graciously agreed.

I give credit to Father Hall, our first full-time Priest who came to the Church in 1949, for encouraging me to "participate" in the life of the Church. I helped build the church rectory over on East Cannon Avenue that Fr. Hall occupied, and it was during this time that I became an active lay-reader. Throughout my life, I have supported the Church the best that I could. I helped with fundraisers, served on committees and the vestry, and I also sang in the choir for 48 years. Father Hall taught me that you had to participate and "put in" to "get something back".

Over the years, I have seen a lot of Priests come and go in the small church. One thing has remained constant though, and that is the love and fellowship in this parish. It has

always been one big, happy family for the service of Christ Jesus our Lord. This Church has blessed my life in more ways than I could ever count, and it's impossible to put into words just how much it means to me. The Bible is right when it says, "It is more blessed to give than to receive". The more each member participates, the greater the reward. The Lord loves a joyful giver when his or her stewardship comes from the heart. Thank you for the many blessings your friendship has given me.

The Lord Be With You,
Poss Wilhelm

Did you know...

In late January we contacted BRS, Inc. of Richfield, NC to find out if they could bore under our driveway next to the Sacristy and give us a quote on the cost. Matt Barringer came out and said that they would get back to us with a quote. Later that day, we received an email stating that they would do the job for FREE! They said that they would call ahead to the utilities and have them tag all the underground lines—electricity, sewer, water, telephone, and gas lines. They also said in their email that they like to help out churches when they can, who need services in their line of work.

So, they came during the last week of March and bore a 3-inch tunnel under the driveway to connect the church to the Parish Hall, so we can run electrical, telephone, or any other lines to the church. This will allow us to put a phone in the Sacristy and a security or alarm system in as we choose.

When BRS finished boring the tunnel, they cleaned up the site and planted grass seed and put down straw from the church to the parish hall! We never asked for anything but a quote, and they did all of this for our church—for FREE!

THANK YOU, BRS!
To God be the glory!

Bread & Wine

Bread & Wine Articles DUE May 19!

Christ Episcopal Church
Mail: PO Box 657
Albemarle, NC 28002

Time sensitive material

Mailed on May 8, 2009

*A parish of the Episcopal Diocese of North Carolina ,
The Episcopal Church of the United States of America (ECUSA),
and the Worldwide Anglican Communion*

Rector – The Rev. Dr. James Bernacki
Supply Priest in Residence-Fr. Marvin Aycock
Senior Warden – David Wilhelm
Junior Warden – Archie Chase
Treasurer – Archie Chase
Vestry Clerk – Allison Poplin/Marianne Bumgarner-Davis
Parish & Financial Sec’y – Carol Bowman
Organist & Choir – Jane Scheer
Acolytes – Cindy Moore
Altar Guild – Pat Bryfonski
Flower Liaison – Beth Chivington/Joe Burris
Christian Ed.—Cindy Moore, Lisa Deese

Columbarium – Helen Harris, Allison Poplin
Coord. Of Relig. Formation – Amber Gunther
ECW – Shelia Chase, Pat Bryfonski, and Jane Scheer
Lawn Care – Craig Kennedy
Lay Eucharistic Ministers – David Cook
Lectors – Dr. Marianne Bumgarner-Davis
Men’s Group – Archie Chase
Nursery – Miranda Throneburg, Cindy Moore
Outreach –Lana Erickson, Matt Amick
Evangelism – Tom Lowe, Joe Burris
Parish Life – Michael Lowder

Pastoral Care –Lori Kirkingburg, Dr. Lisa Brandyberry
Buildings & Grounds-David Wilhelm, Tony Hinson
Stewardship & Finance- Russ Hollins, Archie Chase
Ushers – Wayne Davis
Worship – Pat Bryfonski, Cindy Moore
Youth – Amber Gunther, Nancy Deeck
Church Kitchen Coordinator – Doris Stickney
Parish Nursing – Becky McKeon, Felicia Amick

Happy Birthday!

The Parish Family of Christ Church
wishes the following parishioners a very
“Happy Birthday” in **May**:



May

- | | | |
|------------------------|---------------------|-----------------------------|
| 4 Linda Burris | 17 David Cook | 24 Pat Bryfonski |
| 10 Rose Harris | 17 Blaine Covington | 25 Joseph Misenheimer |
| 11 Mary-Margaret Brown | 19 Phil Huneycutt | 27 Eric Whitley |
| 12 Jeff Davis | 21 Beth Olivieri | 27 Jody Huneycutt |
| 13 Joyce Higham | 21 Lana Erickson | 27 Robert Ingram Barnes, IV |
| 15 Matt Amick | 24 Alexandra Deese | 29 London Ann Gray |
| 16 Elaine Hollins | 24 Abel Cavasos | 30 Elizabeth Hinson |

Thanks

FOR YOUR EXAMPLE

Mother's Day is a great opportunity to thank your mother, grandmother or any other woman who has been a wonderful example in your life.

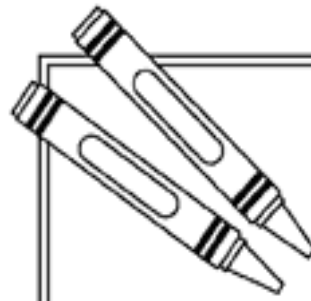
Make and give this craft to show how much you appreciate these special women.

What you need:

- An empty, glass, wide-mouthed jar (no lid needed)
- Acrylic craft paints (several different spring colors)
- Votive candle (optional)
- Flowers (optional)
- Small candies (optional)

What you do:

1. Make sure your glass jar is clean and dry.
2. Dip your pointer finger into one of the paint colors.
3. Using your finger as a stamp, make about five prints in a circle on the outside of your jar. These will be your flower petals. (Hint: Hold your jar by placing your hand inside it. Then you can turn the jar easily without messing up the wet paint.)
4. Dip your finger into another color and make a fingerprint in the center of your petals.
5. Make as many flowers as you want, using different fingers or your thumb to make different-sized petals.
6. Present this beautiful gift to a special woman this Mother's Day. There are many ways to use it:
 - Place a votive candle inside to make a candleholder.
 - Fill it with water and place flowers inside to make a vase.
 - Fill it with small candies to make a candy jar.



Just for **KIDS**

A legacy of faith

You're blessed when you have a mother, a grandmother or any relative or friend who passes down a strong faith to you. In the Bible, Timothy was influenced by his grandmother and mother.

Complete 2 Timothy 1:5 (NIV) below by filling in the blanks with the correct vowel.

VOWELS: 1 = a 2 = e 3 = i 4 = o 5 = u

"_ h _ v _ b _ _ n r _ m _ nd _ d _ f

3 1 2 2 2 2 3 2 4

y _ _ r s _ nc _ r _ f _ _ th, wh _ ch

4 5 3 2 2 1 3 3

f _ rst l _ v _ d _ n y _ _ r gr _ ndm _ th _ r

3 3 2 3 4 5 1 4 2

L _ _ s _ nd _ n y _ _ r m _ th _ r

4 3 1 3 4 5 4 2

_ _ n _ c _ _ nd, _ _ m p _ rs _ _ d _ d,

2 5 3 2 1 3 1 2 5 1 2

n _ w l _ v _ s _ n y _ _ _ ls _."

4 3 2 3 4 5 1 4

2 TIMOTHY 1:5 (NIV)

Answer: "I have been reminded of your sincere faith, which first lived in your grandmother Lois and in your mother Eunice and, I am persuaded, now lives in you also."